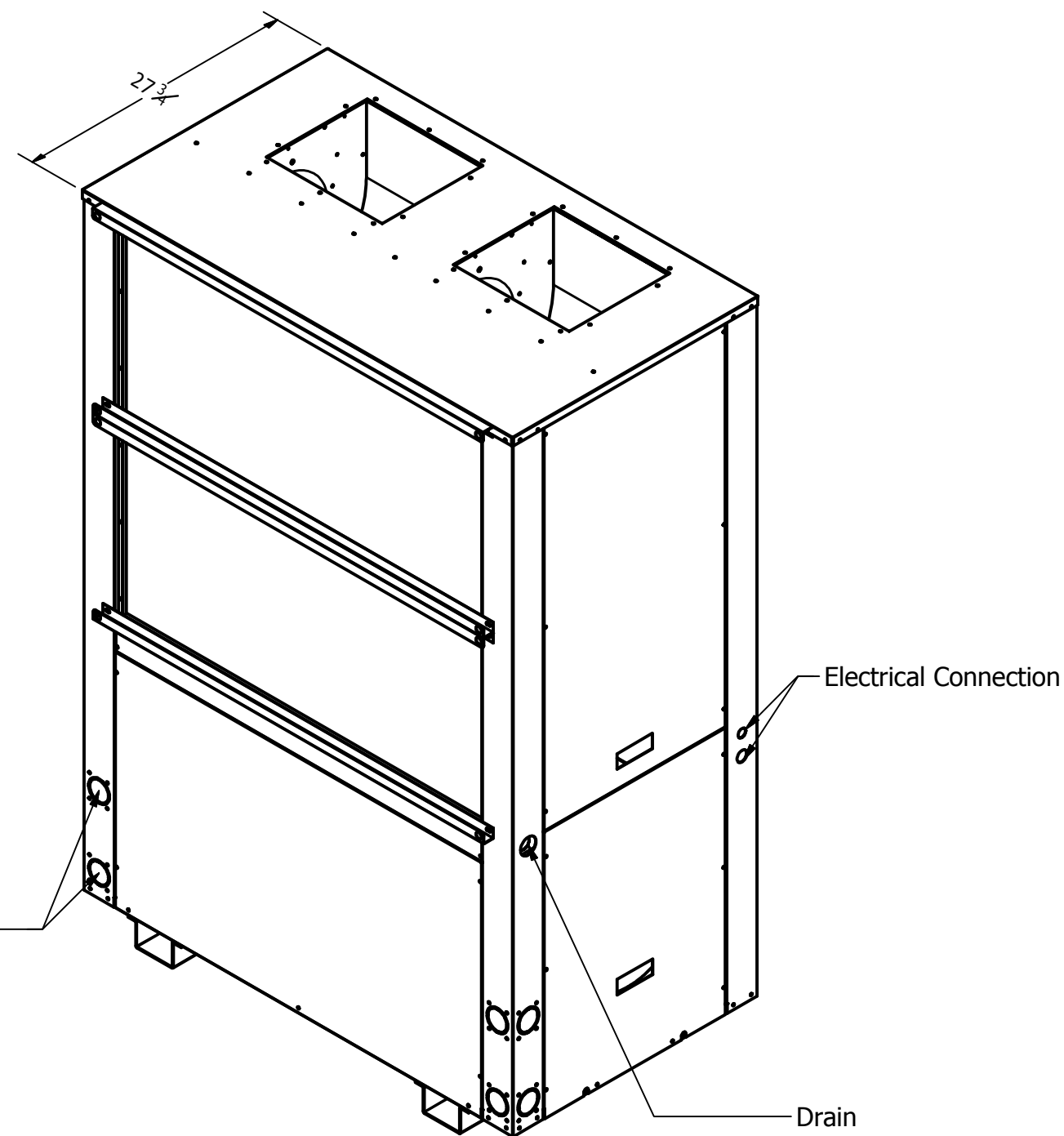


Water Connections
 [Note: Connections Depends on Orientation as per specifications]



PROJECT	UNLESS OTHERWISE SPECIFIED, ALL DIMENSIONS ARE IN INCHES	DRAWN NEC	DATE 7/12/2011	DESCRIPTION: 7.5 TO 15 TON	
Miami Heat Pump	TOLERANCES SYMBOLS PER ANSI Y14.5	CHK'D BY:	CHK'D DATE:	PART NO. HPX090-180V	REV:
THIS SHEET CONTAINS CONFIDENTIAL INFORMATION, IMAGES AND TRADE SECRETS OF COLDFLOW/DUALAIR, INC. ANY UNAUTHORIZED USE OR DISCLOSURE OF ANY PORTION THEREOF, IS STRICTLY PROHIBITED. THIS WORK IS THE EXCLUSIVE PROPERTY OF COLDFLOW/DUALAIR, INC. ALL RIGHTS RESERVED.	X DECIMAL '.03 XX DECIMAL '.010 XXX DECIMAL '.0015	SHEET:	SCALE:		
	BREAK ALL SHARP CORNERS PART TO BE FREE OF BURRS	MATERIAL:			SHEET 1